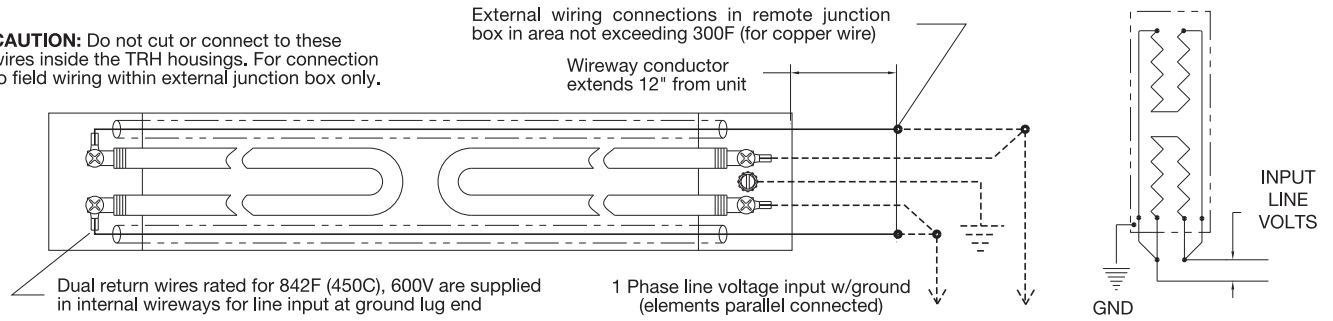


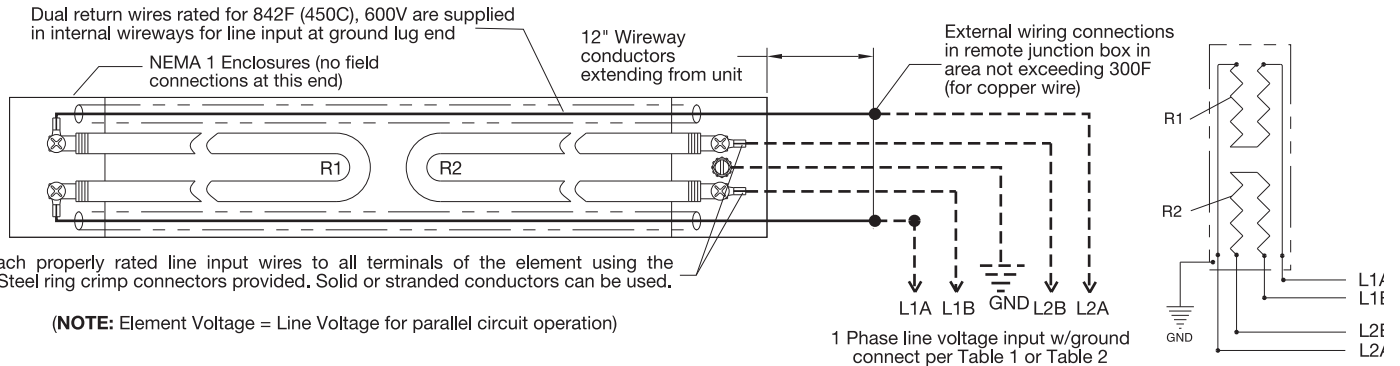
### TRH4 (page 7-79) Optional Single-End Wiring

**CAUTION:** Do not cut or connect to these wires inside the TRH housings. For connection to field wiring within external junction box only.



### TRH4 (page 7-79) Multiple Heat/Dual Voltage Wiring

Dual return wires rated for 842F (450C), 600V are supplied in internal wireways for line input at ground lug end



Attach properly rated line input wires to all terminals of the element using the Ni-Steel ring crimp connectors provided. Solid or stranded conductors can be used.

(NOTE: Element Voltage = Line Voltage for parallel circuit operation)

**TABLE 1**

Multiple Heat Connections (Single Input Voltage)

Heat Range	Line Input Wiring
Max Heat	L1A & L1B to L2A & L2B in parallel
Medium Heat	L1A to L1B or L2A to L2B only
Low Heat	L1A to L1B, input L2A to L2B

**TABLE 2**

Dual Voltage Connections (for 240/480V or 120/240V rated units)

Input Voltage	Line Input Wiring
High (480 or 240V)	L1A to L1B, input L2A to L2B
Low (240 or 120V)	L1A & L1B to L2A & L2B in parallel

### Type ART Tubular Radiant Heater Arrays

Tempco can design and manufacture a custom tubular heater array to your specifications. Call for details.

