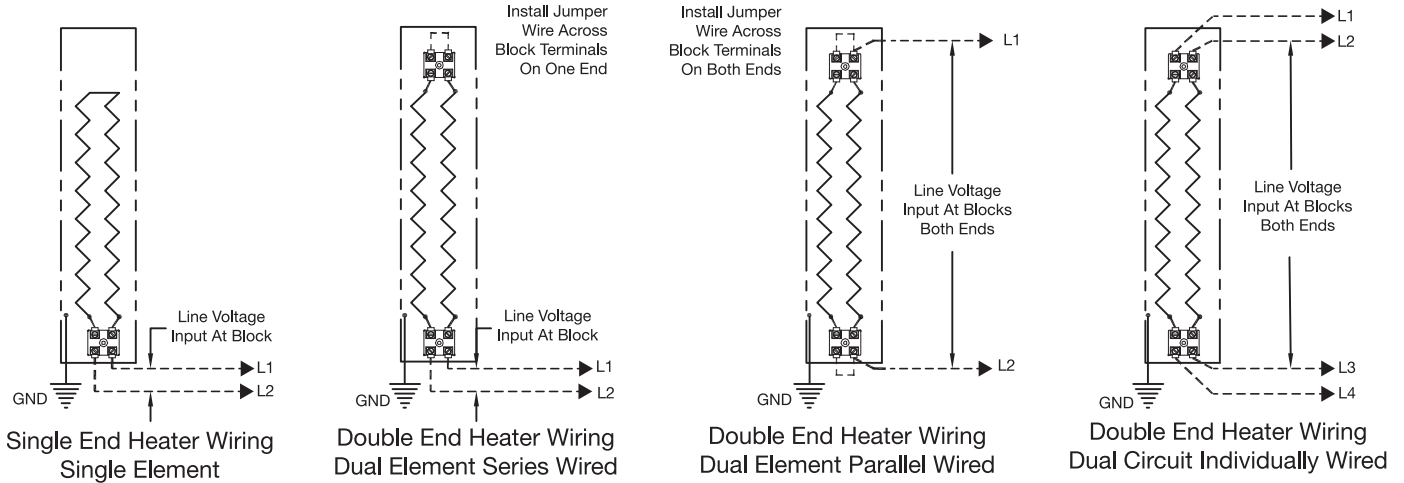
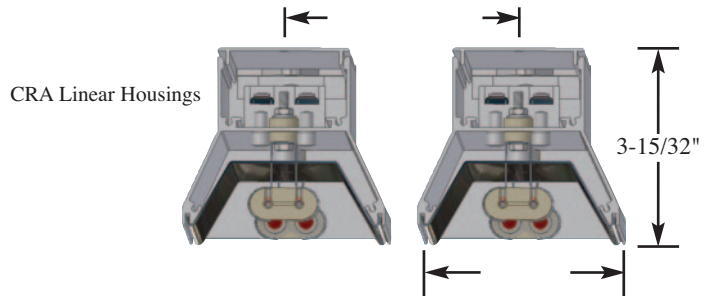
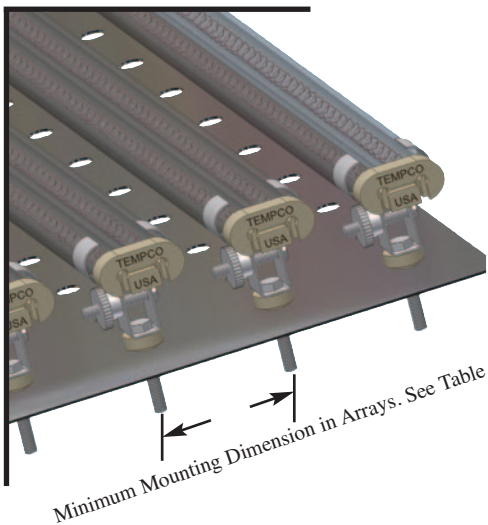


### Wiring Diagrams for Gemini E-Mitter in a CRA Linear Housing



**Warning:** Hazard of Electrical Shock. Installation must be grounded to earth. Disconnect power before installing or servicing heater.

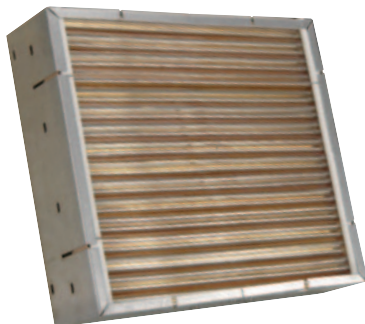
### Minimum Spacing Between Gemini Medium Wave Heaters



### Minimum Spacing between Heaters in Array Assemblies ("D" Dim.) and CRA Linear Housings

Twin Bore Tube Size	18 x 8 mm	23 x 11 mm	33 x 15 mm
Minimum Center to Center Spacing of Heaters Mounted in ARG Arrays ("D Dim.")	1.43"	1.63"	2.00"
Minimum Center to Center Spacing of Heaters Mounted in CRA Linear Housings	4.00"	4.00"	4.00"

### Type ARG Gemini Medium Wave Infrared E-Mitter Panel Arrays



Custom panel arrays are available. Tempco will design and build to your specifications. Consult us with your requirements.

