

Ceramic Terminal Blocks

Heavy Duty High Temperature Ceramic Line Wiring Blocks (Exposed Terminals)

Used for interfacing heater assemblies, CRA housings and ARA arrays to external line wiring.

Design Features

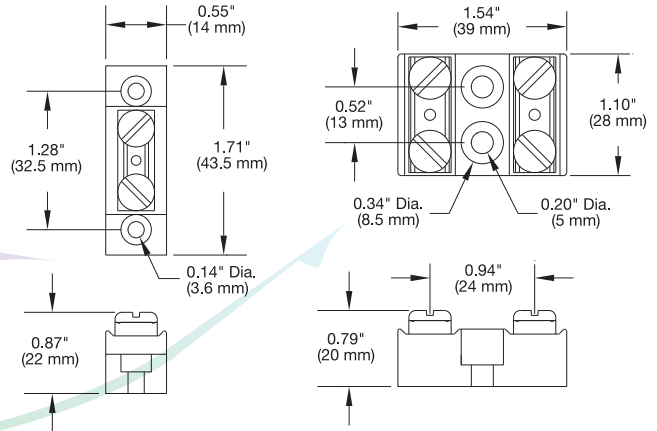
- * **Maximum Voltage:** 500 VAC
- * **Maximum Current:** 44 Amp @ 104°F ambient
- * **Maximum Temperature:** 240°C/464°F
- * **Wire Gauge:** 18 to 8 ga.
- * **Terminal Screw:** M4, zinc-plated steel
- * **Body Material:** Steatite
- * **Agency Approvals:** None

Optional Terminal Hardware

Stainless Steel Flat Washer — Part Number: WAS-109-101

Spring Lock Washers — Part Number: WAS-118-108

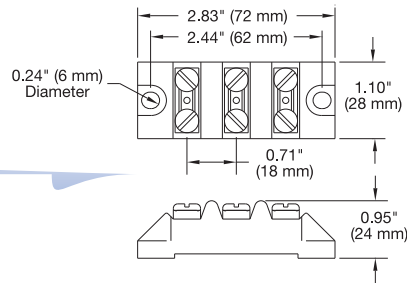
Part Number: EHD-108-106



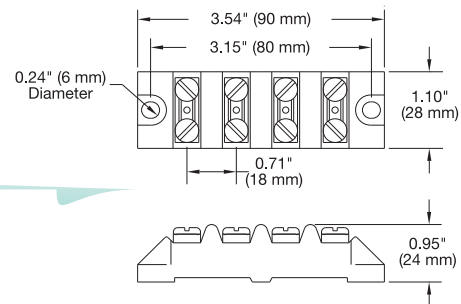
Part Number: EHD-108-107



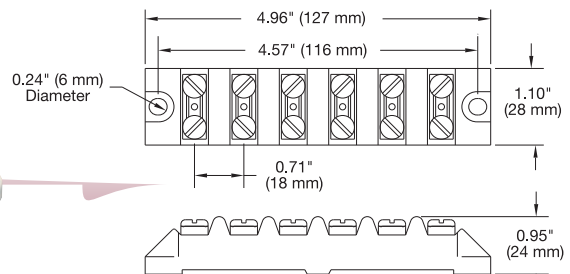
Part Number: EHD-108-108



Part Number: EHD-108-109



Part Number: EHD-108-105



All Items Available from Stock