

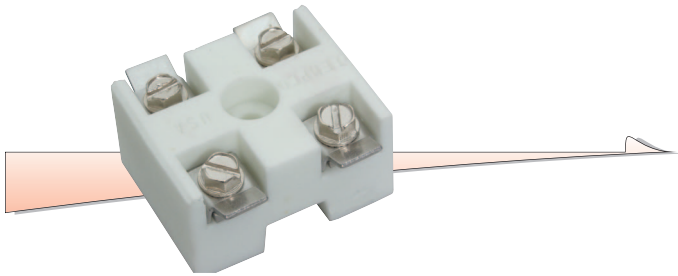
Ceramic Terminal Blocks & Connectors

Standard Ceramic Terminal Blocks for Internal Wiring

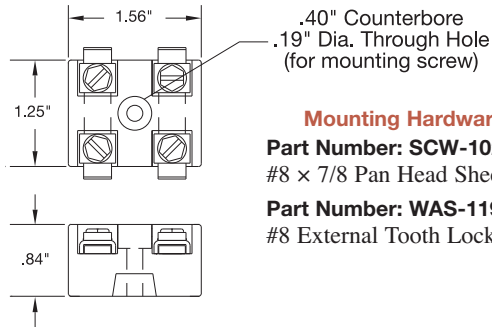
Used for wiring of heater power and thermocouple wiring in high temperature locations.

Design Features

- * **Maximum Voltage:** 600 VAC
- * **Maximum Current:** 20 Amp
- * **Maximum Temperature:** 450°C/842°F
- * **Wire Gauge:** 20 to 12 ga.
- * **Hardware:** Stainless Steel
- * **Terminals:** #8 Screw
- * **Body Material:** Steatite



Part Number: EHD-108-101



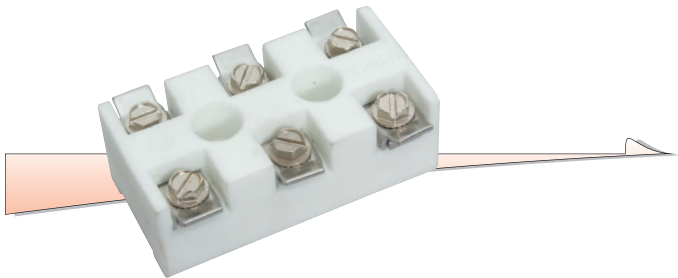
Mounting Hardware Supplied

Part Number: SCW-102-109

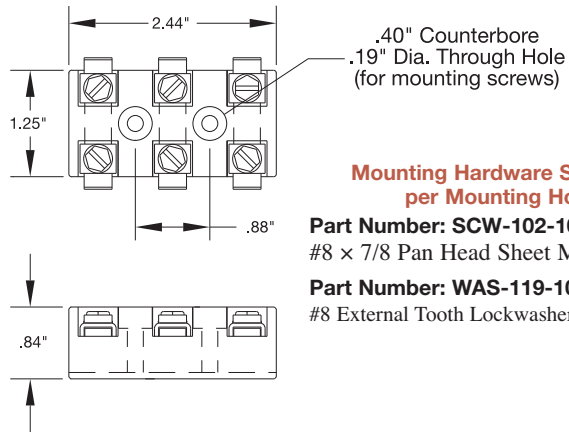
#8 x 7/8 Pan Head Sheet Metal Screw

Part Number: WAS-119-106

#8 External Tooth Lockwasher



Part Number: EHD-108-121



Mounting Hardware Supplied per Mounting Hole

Part Number: SCW-102-109

#8 x 7/8 Pan Head Sheet Metal Screws

Part Number: WAS-119-106

#8 External Tooth Lockwashers

Ceramic Wire Nut Connectors



Stock Number	MFR Part Number	Wire Range (Solid or Stranded Wire)		Skirt Length	Opening ID	Outer Diameter
EHD-114-102	10-401	2#22	1#18 + 1#16	.687"	.250"	.406"
EHD-114-103	10-405	2#20	2#16	.750"	.312"	.484"
EHD-114-104	10-407	2#18	2#14	.843"	.406"	.531"
EHD-114-105	-	1#16 + 1#14	1#14 + 2#12	1.00"	.468"	.703"

SPECIFICATIONS

Material: Porcelain

Maximum Temperature Rating: 1200°F (645°C)

Maximum Voltage: 300V

Agency Approvals: UL and CSA for EHD-114-102, EHD-114-103 and EHD-114-104 (UL File E9809)

All Items Available from Stock

View Product Inventory @ www.tempco.com