

Pipe Clamp Thermocouples

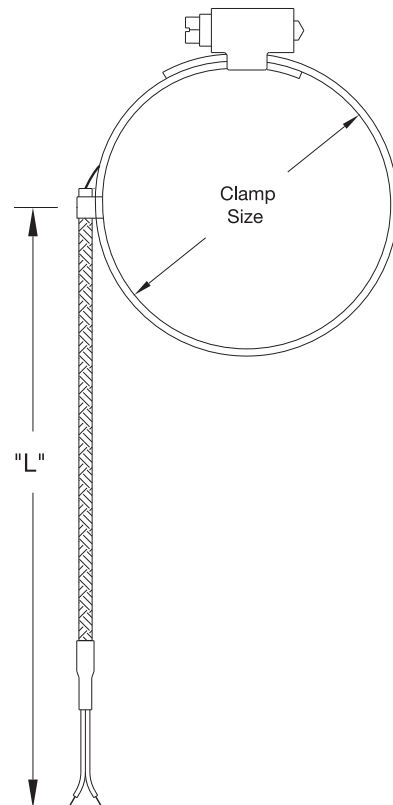
Design Features

* *Stainless Steel Worm Drive Clamp 1/2" wide*

* *Ideal for Measuring Pipe Temperatures*

* *Thermocouple Junction Grounded to Clamp*

Ordering Code: **TPW** - 1 2 3 4 5 6



Clamp Size BOX 1
 1 = 1/2" to 7/8"
 2 = 7/8" to 1-1/2"
 3 = 1-5/16" to 2-1/4"
 4 = 2-1/4" to 3-5/16"
 5 = 3-5/16" to 4-1/4"
 6 = 4-5/16" to 5-1/4"
 7 = 5-5/8" to 8-1/2" (9/16" Wide)
 X = Other (Specify)

Lead Insulation BOX 4 w/ SS Overbraid
 Fiberglass 900°F (482°C) S B
 Teflon 400°F (204°C) T D

Termination BOX 5 †
 B = 2-1/2 in. Split Leads K = Standard Plug and Jack
 S = Spade Lugs D = Miniature Plug
 C = Spade Lugs with BX Conn. E = Miniature Jack
 P = Standard Plug F = Mini. Plug and Jack
 J = Standard Jack X = Other (Specify)

Calibration BOX 2
 ANSI Standard Tolerances J K E T

† See page 14-9 for Termination Style descriptions

Special Requirements BOX 6
 X = Specify
 0 = None

"L" Dimension BOX 3
 Whole inches
 Example: Enter 048 for 48 inches

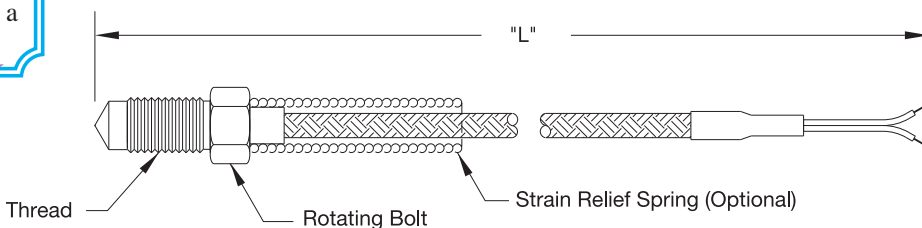
Ordering Information
 TRW, TSW, TPW and TNW Thermocouples are offered with the options listed in the worksheets. Create an ordering code by filling in the boxes with the appropriate number and/or letter designation for your requirements, and a part number will be assigned.

Design Features

* *Mounted in a shallow threaded hole on the nozzle surface (there is no direct contact with material flow)*

* *Grounded junction*

Nozzle Thermocouples



Ordering Code: **TNW** - 1 2 3 4 5 6 7

Thread Size BOX 1
 1 = 1/4-28 UNF
 2 = 1/4-20 UNC
 3 = M6 x 1
 4 = M8 x 1.25
 X = Other (Specify)

Lead Insulation BOX 4 w/ SS Overbraid
 Fiberglass 900°F (482°C) S B
 Teflon 400°F (204°C) T D

Termination BOX 5 †
 B = 2-1/2 in. Split Leads P = Standard Plug D = Miniature Plug
 S = Spade Lugs J = Standard Jack E = Miniature Jack
 C = Spade Lugs with BX Conn. K = Standard Plug and Jack F = Mini. Plug and Jack
 X = Other (Specify)

† See page 14-9 for Termination Style descriptions

Calibration BOX 2
 ANSI Standard Tolerances J K E T N

"L" Dimension BOX 3
 Whole inches
 Example: Enter 048 for 48 inches

Strain Relief Spring BOX 6
 0 = Not Required
 Y = Required

Special Requirements BOX 7
 X = Specify
 0 = None

WARNING: Cancer and Reproductive Harm - www.P65Warnings.ca.gov