

Temperature Controllers

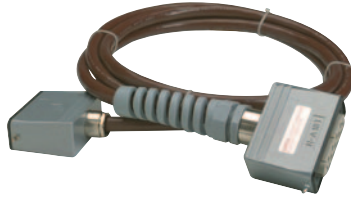


MX Hot Runner Control Accessories



Injection Mold Temperature Control Systems

Mold Cables



Power Cables

Used to connect the mainframe to the hot runner injection mold for heater power.

Number of control zones	10 ft.	20 ft.
5-Zone	TKA22105	TKA22205
8-Zone	TKA22108	TKA22208
12-Zone	TKA22112	TKA22212

Thermocouple Cables

Used to connect the mainframe to the hot runner injection mold for thermocouple signal.

Number of control zones	10 ft.	20 ft.
5-Zone	TKA23105	TKA23205
8-Zone	TKA23108	TKA23208
12-Zone	TKA23112	TKA23212

Mold Connectors



Power Connector

Used to connect the heater wiring to the power mold cable. Mounts directly on the mold or a wiring junction box.

Part Number	
5-Zone	TKA24005
8-Zone	TKA24008
12-Zone	TKA24012

Thermocouple Connector

Used to connect the thermocouples to the thermocouple mold cable. Mounts directly on the mold or a wiring junction box.

Part Number	
5-Zone	TKA24105
8-Zone	TKA24108
12-Zone	TKA24112

Mold Wiring Junction Boxes

Mold Wiring Junction Boxes are mounted directly on the injection mold. The heaters and thermocouples are wired to the connectors and are ordered separately.

Mold Wiring Junction Box for Power Input Connectors

(for 5-, 8- or 12-zone connectors)

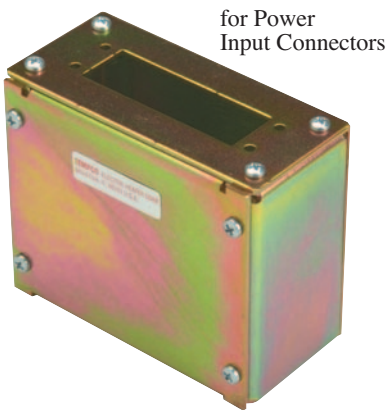
Part Number	"X"	"Y"
TKA25001	4.250"	4.875"

Mold Wiring Junction Box for Thermocouple Input Connectors

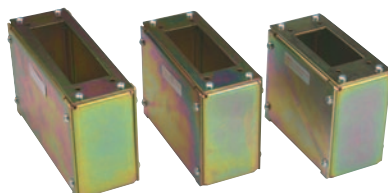
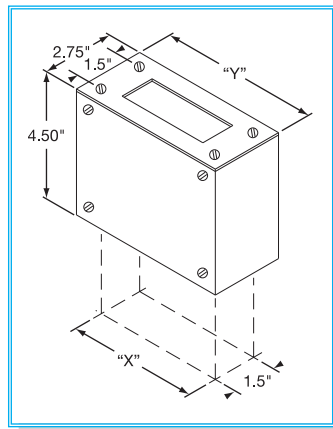
Zones	Part Number	"X"	"Y"
5	TKA25005	4.250"	4.875"
8	TKA25008	4.990"	5.614"
12	TKA25012	6.052"	6.676"

Combination Mold Wiring Junction Box for Thermocouple and Power Input Connectors

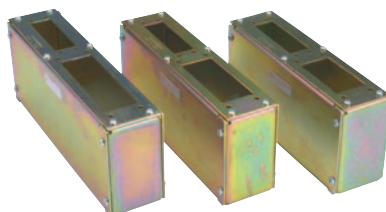
Zones	Part Number	"X"	"Y"
5	TKA25105	8.031"	8.655"
8	TKA25108	8.843"	9.467"
12	TKA25112	9.906"	10.530"



for Power Input Connectors



for Thermocouple Input Connectors



for Thermocouple and Power Input Connectors