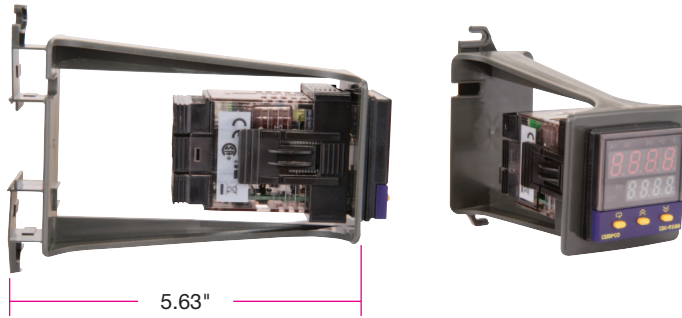
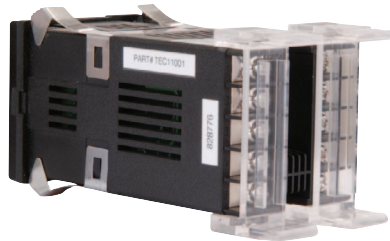


### DIN Rail/Surface Mount Adapter for 1/16 DIN Controls

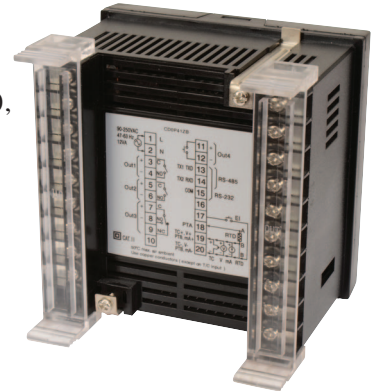


**Cutout for Control** – 45 mm/1.772" square  
**Maximum DIN Control Depth** – 120 mm/4.72"  
**Material** – Fire Retardant Polycarbonate GE Lexan® 940  
**Part Number:** TEC99920

### Polycarbonate Touchsafe Terminal Covers



**Part Number:** TEC99921 (sold per piece)  
**1/8 and 1/4 DIN** – Fits Controller Models:  
 TEC-8100, TEC-8300, TEC-805, TEC-4100,  
 TEC-4300, TEC-401, TEC-402, TEC-404,  
 TEC-405, TEC-4500

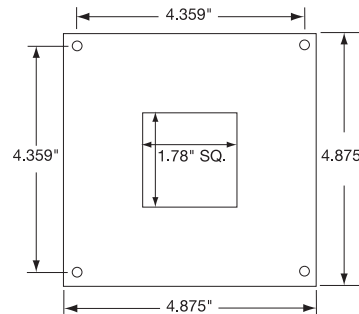


**Part Number:** TEC99922 (sold per piece)  
**1/16 DIN** – Fits Controller Models:  
 TEC-9090, TEC-910, TEC-920,  
 TEC-901, TEC-902, TEC-905

### Adapter Plates

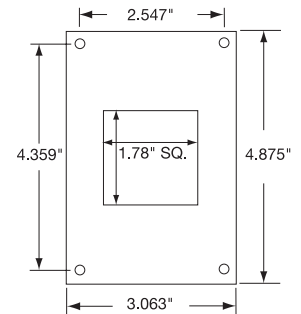


18 gauge Stainless Steel Adapter Plates  
 with (4) #8 self-tapping sheet metal  
 screws for mounting



**TEC99901**

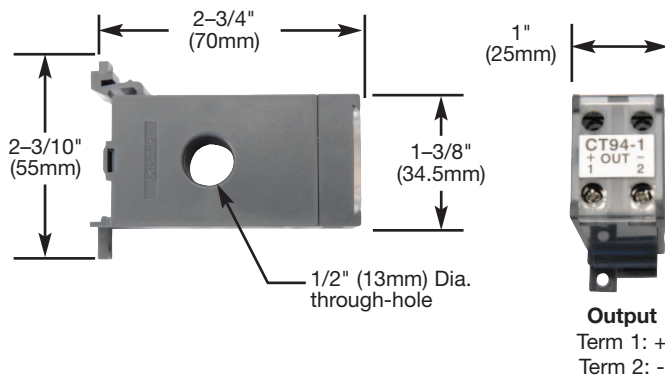
Adapts a 1/4 DIN cut-out  
 to a 1/16 DIN cut-out.



**TEC99902**

Adapts a 1/8 DIN cut-out  
 to a 1/16 DIN cut-out.

### Model TEC 99999 Current Transformer/Transducer for use with Heater Break Alarm



#### Design Features

- \* High Accuracy:  $\pm 2\%$  of Reading  $\pm 0.2A$
- \* Wide Measuring Range: 0 – 50 Amps AC
- \* DC Voltage Output: 0 – 5 VDC
- \* 35 mm DIN Rail Mount or Surface Mount
- \* 7/16" (12.5mm) diameter maximum cable size



#### Note:

1 required for 1 Phase – 50A Max.  
 3 required for 3 Phase – 100A Nominal Max.