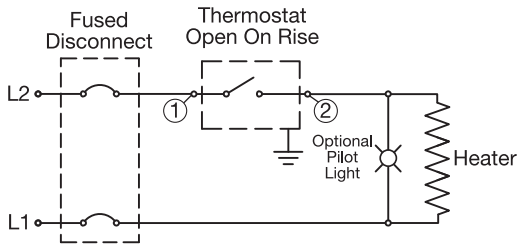


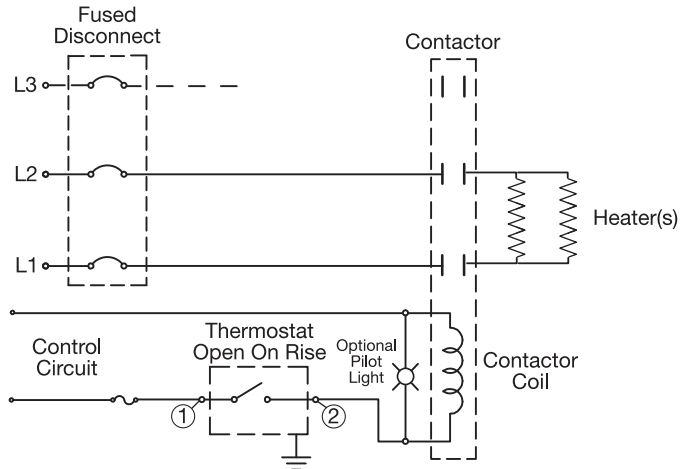
### Thermostat Wiring Diagrams

#### Thermostat Style A (Single Pole—Single Throw)

Typical circuit when voltage and/or line current does not exceed thermostat ratings

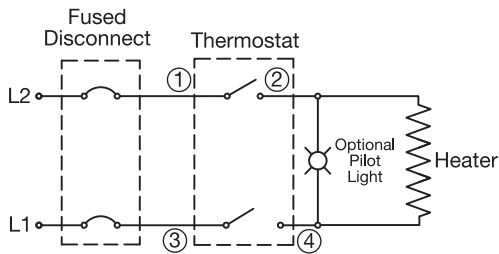


1Ø or 3Ø circuit if line voltage and/or current exceeds thermostat rating

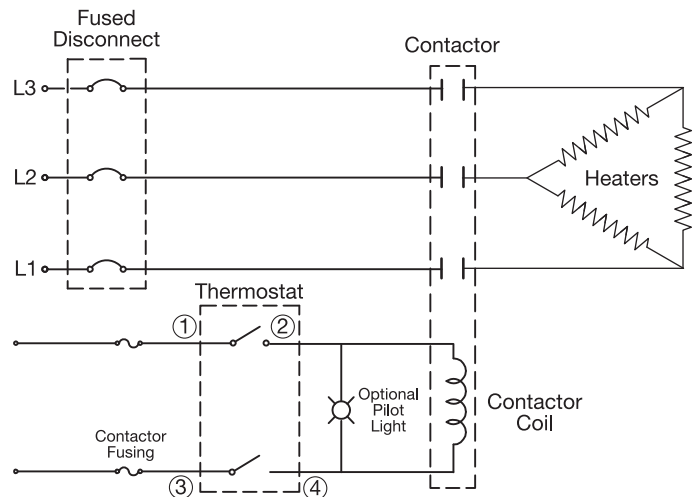


#### Thermostat Style B (Double Pole—Single Throw)

Typical circuit when voltage and/or line current does not exceed thermostat ratings



1Ø or 3Ø circuit if line voltage and/or current exceeds thermostat rating



### Stock Thermostat Kits

Double-Pole Thermostat Kits include the following components:

Kit Number TSTR-1008 with Style B Thermostat	
TST-110-103	Thermostat with 100 to 550°F Range
TST-104-104	Knob
EHD-109-103	Pilot lamp
TST-111-101	Bezel

Kit Number TSTR-1009 with Style B Thermostat	
TST-110-102	Thermostat with 60 to 250°F Range
TST-104-103	Knob
EHD-109-103	Pilot lamp
TST-111-101	Bezel



**Note:** Double-Pole Thermostat Kits can also be installed separately from the heater in housing HSGR-1004 shown on page 11-9.