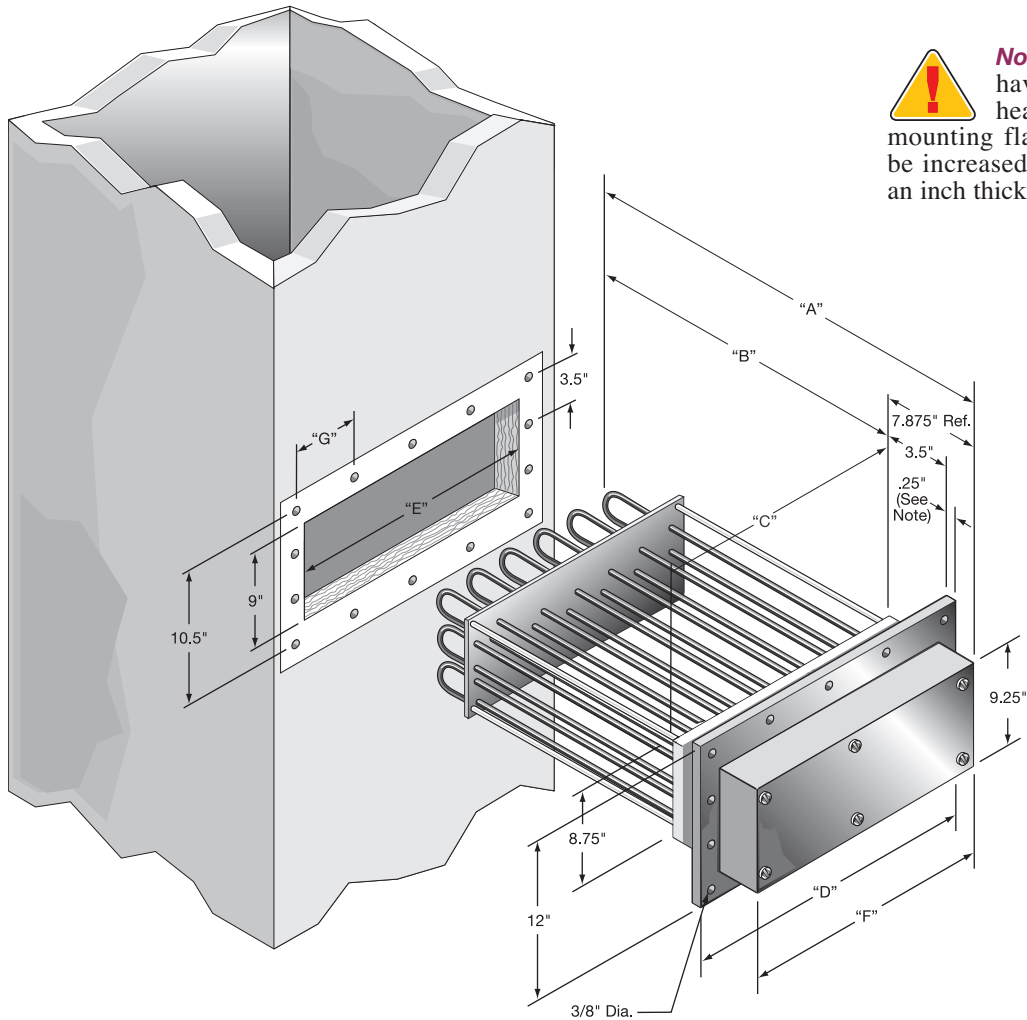


### Standard Duct Heater Features

#### Design Features

- \* NEMA 1 General Purpose Ventilated Enclosure
- \* Painted Steel Mounting Flange
- \* Single- and Three-Phase Wiring
- \* 3-1/2" (89 mm) Insulation
- \* Field Replaceable Incoloy® 840 Elements
- \* Element Bends Re-pressed
- \* 1/4" (6 mm) Inside Diameter Thermowell
- \* Stainless Steel Support Plate and Corner Posts

#### Typical Installation



#### Standard (Non-Stock) Duct Heater Construction Specifications

| Dimensions Reference Number | "A"                            |      | "B"                            |      | "C"                            |     | "D"                            |     | "E" |     | "F"                            |     | "G"                           |     | Number of Elements | Approximate Net Weight |     |
|-----------------------------|--------------------------------|------|--------------------------------|------|--------------------------------|-----|--------------------------------|-----|-----|-----|--------------------------------|-----|-------------------------------|-----|--------------------|------------------------|-----|
|                             | in                             | mm   | in                             | mm   | in                             | mm  | in                             | mm  | in  | mm  | in                             | mm  | in                            | mm  |                    | lbs                    | kgs |
| 1                           | 27 <sup>7</sup> / <sub>8</sub> | 708  | 20                             | 508  | 2 <sup>3</sup> / <sub>4</sub>  | 70  | 6 <sup>1</sup> / <sub>2</sub>  | 165 | 3   | 76  | 3 <sup>3</sup> / <sub>8</sub>  | 92  | 2 <sup>1</sup> / <sub>2</sub> | 64  | 6                  | 22                     | 10  |
| 2                           | 27 <sup>7</sup> / <sub>8</sub> | 708  | 20                             | 508  | 4 <sup>3</sup> / <sub>4</sub>  | 121 | 8 <sup>1</sup> / <sub>2</sub>  | 216 | 5   | 127 | 5 <sup>5</sup> / <sub>8</sub>  | 143 | 3 <sup>1</sup> / <sub>2</sub> | 89  | 12                 | 31                     | 14  |
| 3                           | 27 <sup>7</sup> / <sub>8</sub> | 708  | 20                             | 508  | 6 <sup>3</sup> / <sub>4</sub>  | 171 | 10 <sup>1</sup> / <sub>2</sub> | 267 | 7   | 178 | 7 <sup>7</sup> / <sub>8</sub>  | 194 | 3                             | 76  | 18                 | 41                     | 19  |
| 4                           | 27 <sup>7</sup> / <sub>8</sub> | 708  | 20                             | 508  | 8 <sup>3</sup> / <sub>4</sub>  | 222 | 12 <sup>1</sup> / <sub>2</sub> | 318 | 9   | 229 | 9 <sup>5</sup> / <sub>8</sub>  | 244 | 2 <sup>3</sup> / <sub>4</sub> | 70  | 24                 | 51                     | 23  |
| 5                           | 27 <sup>7</sup> / <sub>8</sub> | 708  | 20                             | 508  | 10 <sup>3</sup> / <sub>4</sub> | 273 | 14 <sup>1</sup> / <sub>2</sub> | 368 | 11  | 279 | 11 <sup>1</sup> / <sub>8</sub> | 295 | 3 <sup>1</sup> / <sub>4</sub> | 83  | 30                 | 62                     | 28  |
| 6                           | 27 <sup>7</sup> / <sub>8</sub> | 708  | 20                             | 508  | 12 <sup>3</sup> / <sub>4</sub> | 324 | 16 <sup>1</sup> / <sub>2</sub> | 419 | 13  | 330 | 13 <sup>3</sup> / <sub>8</sub> | 346 | 3 <sup>3</sup> / <sub>4</sub> | 95  | 36                 | 73                     | 33  |
| 7                           | 27 <sup>7</sup> / <sub>8</sub> | 708  | 20                             | 508  | 14 <sup>3</sup> / <sub>4</sub> | 375 | 18 <sup>1</sup> / <sub>2</sub> | 470 | 15  | 381 | 15 <sup>5</sup> / <sub>8</sub> | 397 | 4 <sup>1</sup> / <sub>4</sub> | 108 | 42                 | 84                     | 38  |
| 8                           | 27 <sup>7</sup> / <sub>8</sub> | 708  | 20                             | 508  | 16 <sup>3</sup> / <sub>4</sub> | 425 | 20 <sup>1</sup> / <sub>2</sub> | 521 | 17  | 432 | 17 <sup>5</sup> / <sub>8</sub> | 448 | 4 <sup>3</sup> / <sub>4</sub> | 121 | 48                 | 95                     | 43  |
| 9                           | 27 <sup>7</sup> / <sub>8</sub> | 708  | 20                             | 508  | 18 <sup>3</sup> / <sub>4</sub> | 476 | 22 <sup>1</sup> / <sub>2</sub> | 572 | 19  | 483 | 19 <sup>5</sup> / <sub>8</sub> | 498 | 5 <sup>1</sup> / <sub>4</sub> | 133 | 54                 | 106                    | 48  |
| 10                          | 27 <sup>7</sup> / <sub>8</sub> | 708  | 20                             | 508  | 20 <sup>3</sup> / <sub>4</sub> | 527 | 24 <sup>1</sup> / <sub>2</sub> | 622 | 21  | 533 | 21 <sup>3</sup> / <sub>8</sub> | 549 | 5 <sup>3</sup> / <sub>4</sub> | 146 | 60                 | 117                    | 53  |
| 11                          | 32 <sup>7</sup> / <sub>8</sub> | 835  | 25                             | 635  | 20 <sup>3</sup> / <sub>4</sub> | 527 | 24 <sup>1</sup> / <sub>2</sub> | 622 | 21  | 533 | 21 <sup>5</sup> / <sub>8</sub> | 549 | 5 <sup>3</sup> / <sub>4</sub> | 146 | 60                 | 130                    | 59  |
| 12                          | 40 <sup>3</sup> / <sub>8</sub> | 1026 | 32 <sup>1</sup> / <sub>2</sub> | 826  | 20 <sup>3</sup> / <sub>4</sub> | 527 | 24 <sup>1</sup> / <sub>2</sub> | 622 | 21  | 533 | 21 <sup>5</sup> / <sub>8</sub> | 549 | 5 <sup>3</sup> / <sub>4</sub> | 146 | 60                 | 155                    | 70  |
| 13                          | 49 <sup>7</sup> / <sub>8</sub> | 1254 | 41 <sup>1</sup> / <sub>2</sub> | 1054 | 20 <sup>3</sup> / <sub>4</sub> | 527 | 24 <sup>1</sup> / <sub>2</sub> | 622 | 21  | 533 | 21 <sup>5</sup> / <sub>8</sub> | 549 | 5 <sup>3</sup> / <sub>4</sub> | 146 | 60                 | 180                    | 82  |