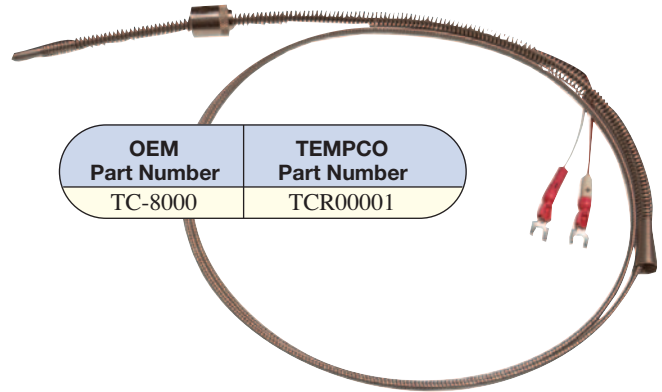
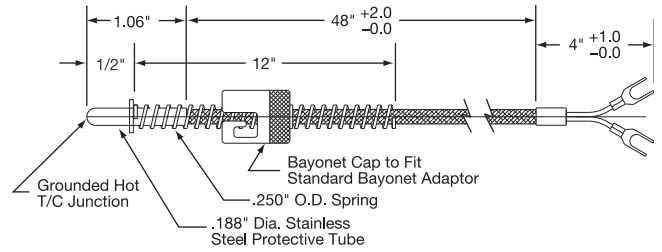


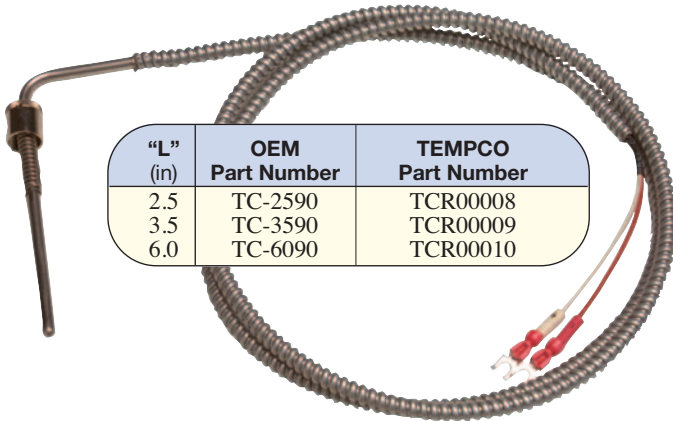
OEM Replacement Thermocouples

Direct Replacement Thermocouples

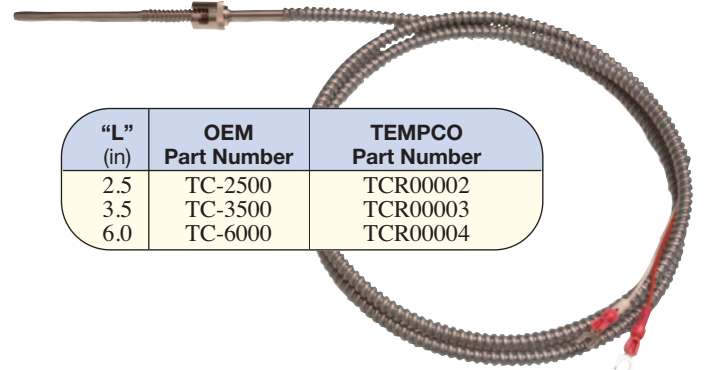
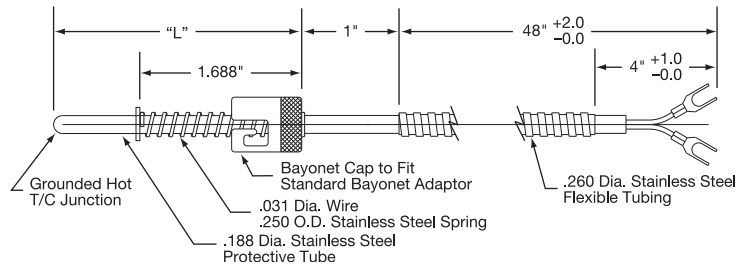
- * All the following thermocouples are manufactured with the highest quality materials and workmanship.
- * The thermocouple wire is stranded (for flexibility) ANSI Type J thermocouple grade, with ANSI color-coded fiberglass insulation (White=Positive, Red=Negative).
- * All hot junctions are grounded. Spade lugs where required are insulated and accept a No. 6 stud.



OEM Part Number	TEMPCO Part Number
TC-8000	TCR00001

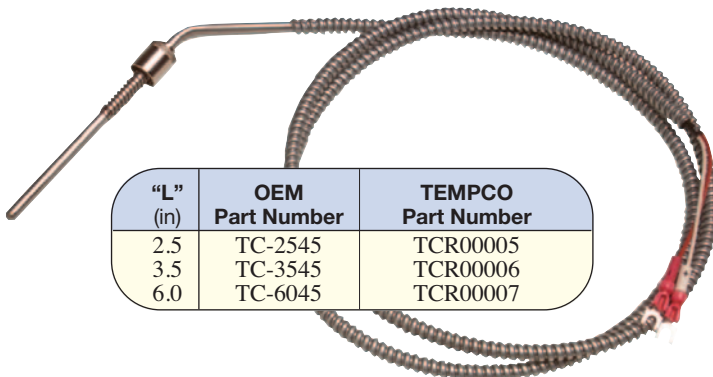
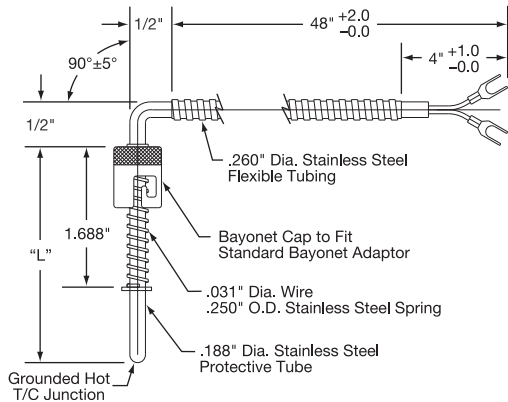


"L" (in)	OEM Part Number	TEMPCO Part Number
2.5	TC-2590	TCR00008
3.5	TC-3590	TCR00009
6.0	TC-6090	TCR00010

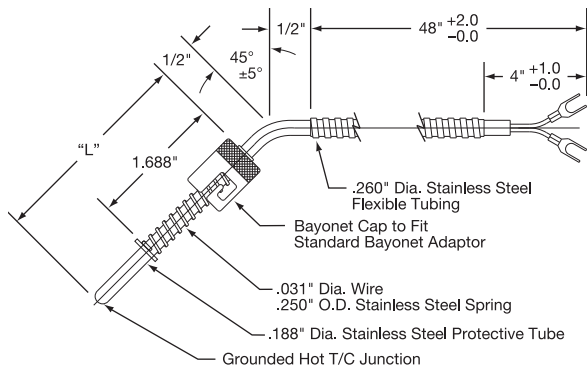


"L" (in)	OEM Part Number	TEMPCO Part Number
2.5	TC-2500	TCR00002
3.5	TC-3500	TCR00003
6.0	TC-6000	TCR00004

All Items Available from Stock



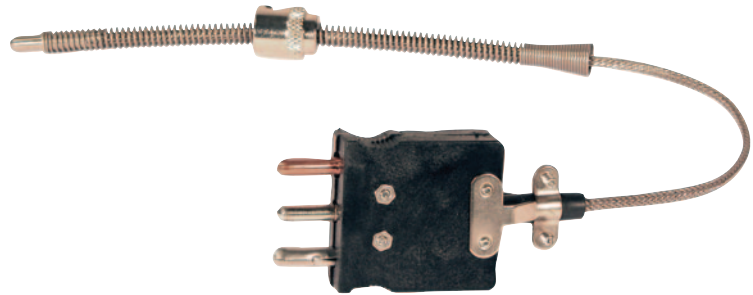
"L" (in)	OEM Part Number	TEMPCO Part Number
2.5	TC-2545	TCR00005
3.5	TC-3545	TCR00006
6.0	TC-6045	TCR00007



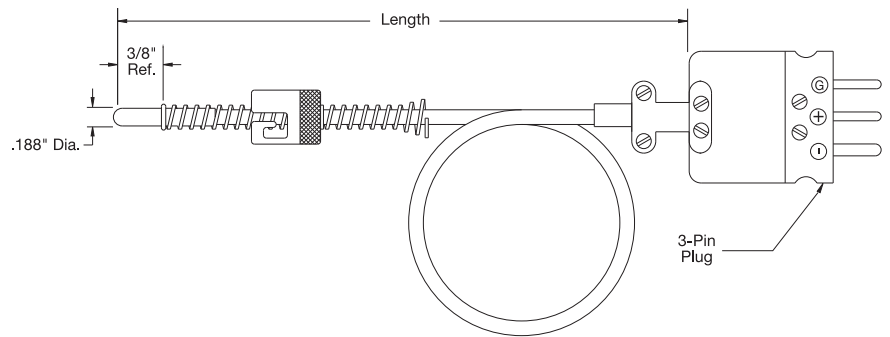
OEM Replacement Thermocouples

Spring Adjustable Thermocouples with 3-pin Male Plug

- * *Ungrounded Type J Thermocouple*
- * *12" Long Compression Spring*
- * *Grounded Stainless Steel Braided Shield*
- * *900°F (482°C) Max. Operation*
- * *Used with the Bayonet Adapters on page 14-87*



Part Number	Length (inches)
TCP18001	24
TCP18002	36
TCP18003	48
TCP18004	60
TCP18005	72
TCP18006	84
TCP18007	96
TCP18008	108
TCP18009	120
TCP18010	132
TCP18011	144

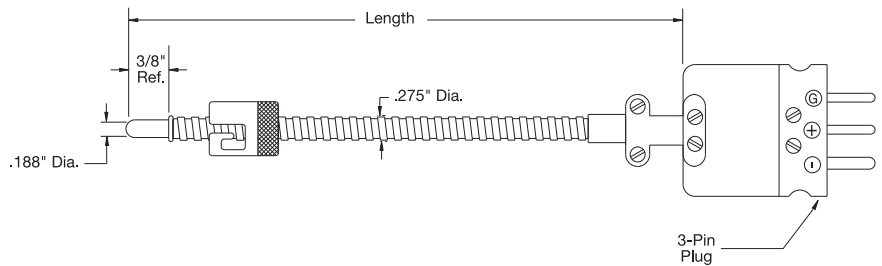


Armor Cable Adjustable Thermocouples with 3-pin Male Plug

- * *Ungrounded Type J Thermocouple*
- * *Grounded Stainless Steel Armor Cable*
- * *900°F (482°C) Max. Operation*
- * *Used with the Bayonet Adapters on page 14-87*



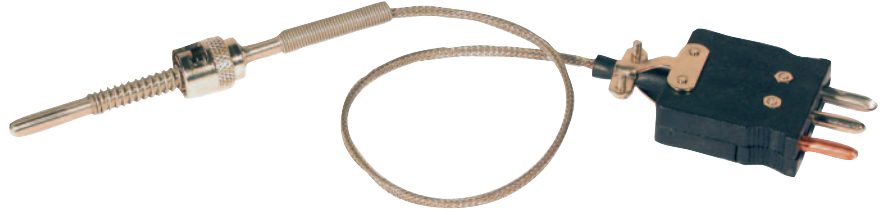
Part Number	Length (inches)
TCP28001	12
TCP28002	24
TCP28003	36
TCP28004	48
TCP28005	60
TCP28006	72
TCP28007	84
TCP28008	96
TCP28009	108
TCP28010	120
TCP28011	132
TCP28012	144



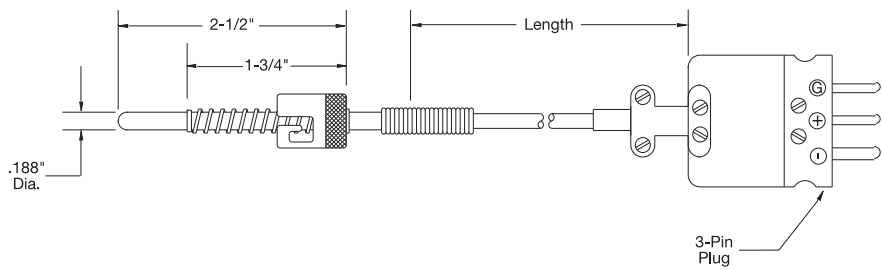
OEM Replacement Thermocouples (Type J)

Spring-Loaded Bayonet Style Thermocouples with 3-pin Male Plug

- * Ungrounded Type J Thermocouple
- * Grounded Stainless Steel Braided Shield
- * 900°F (482°C) Max. Operation
- * Used with the Bayonet Adapters on page 14-87



Part Number	Length (inches)
TCP38101	12
TCP38102	24
TCP38103	36
TCP38104	48
TCP38105	60
TCP38106	72
TCP38107	84
TCP38108	96
TCP38109	108
TCP38110	120

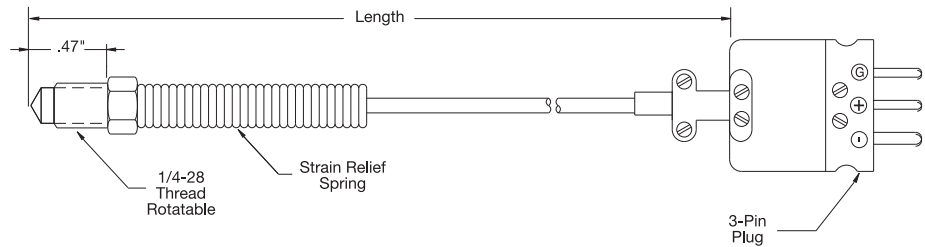


Nozzle Style Thermocouples with 3-pin Male Plug

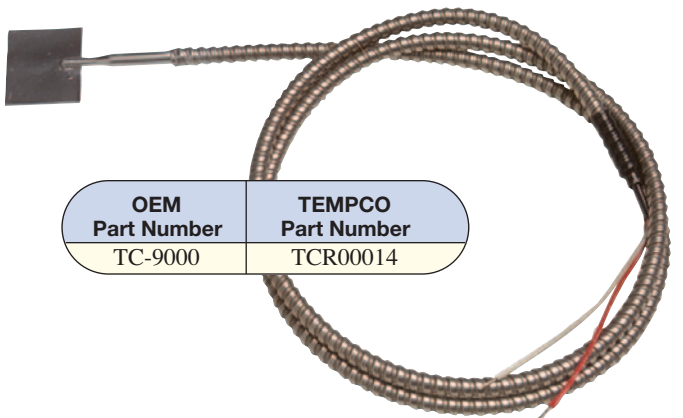
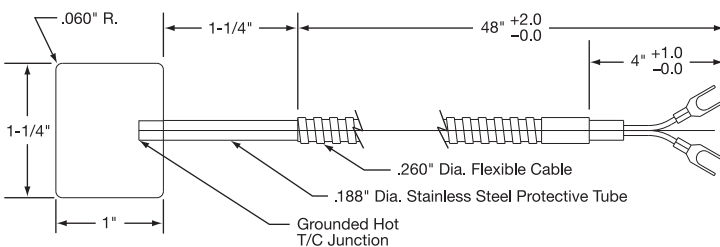
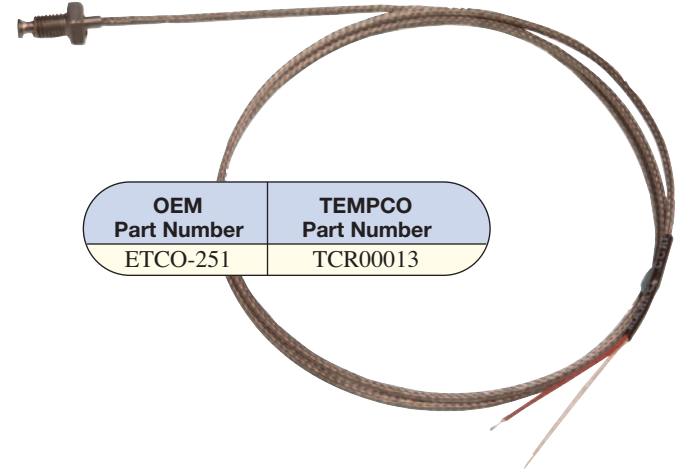
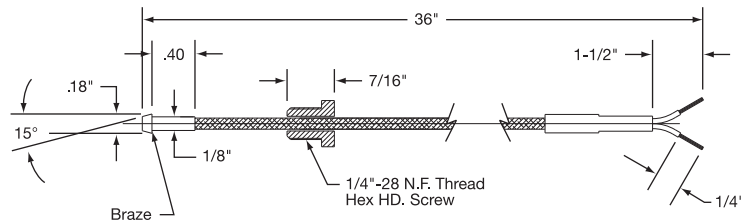
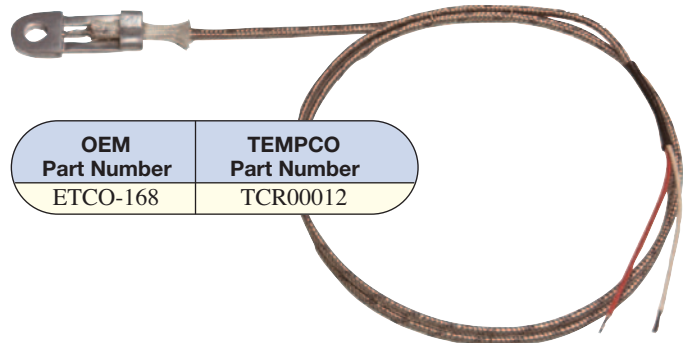
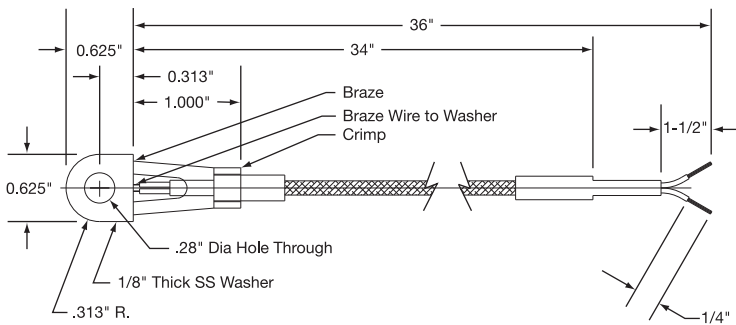
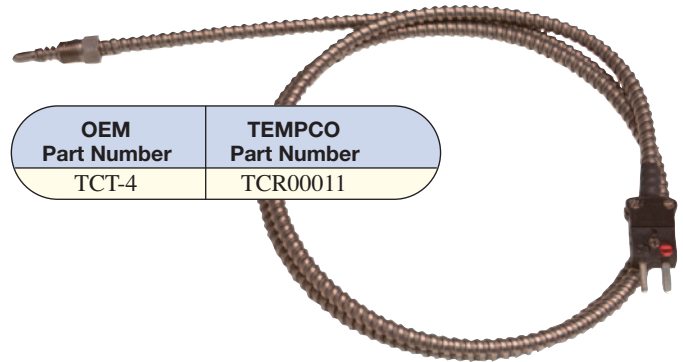
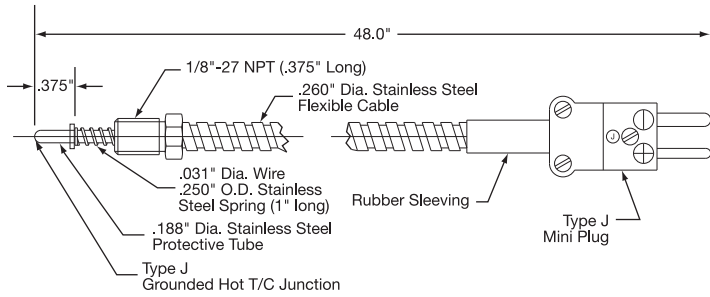
- * Ungrounded Type J Thermocouple
- * Rotatable 1/4-28 UNF Threaded Tip with Strain Relief Spring
- * Grounded Stainless Steel Braided Shield
- * 900°F (482°C) Max. Operation



Part Number	Length (inches)
TNW81001	12
TNW81002	24
TNW81003	36
TNW81004	48
TNW81005	60
TNW81006	72
TNW81007	84
TNW81008	96
TNW81009	108
TNW81010	120
TNW81011	132
TNW81012	144
TNW81013	156
TNW81014	168
TNW81015	180
TNW81016	192



OEM Replacement Thermocouples (Type J)



All Items Available from Stock

OEM Replacement Thermocouples (Type J)

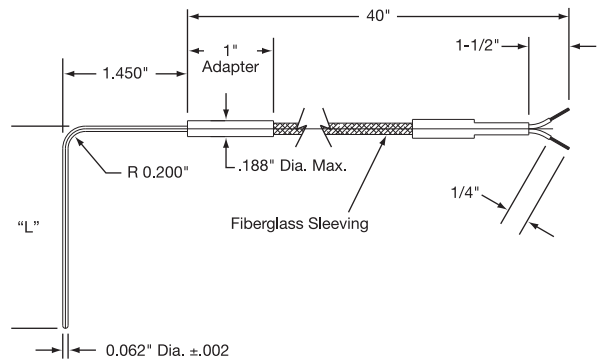
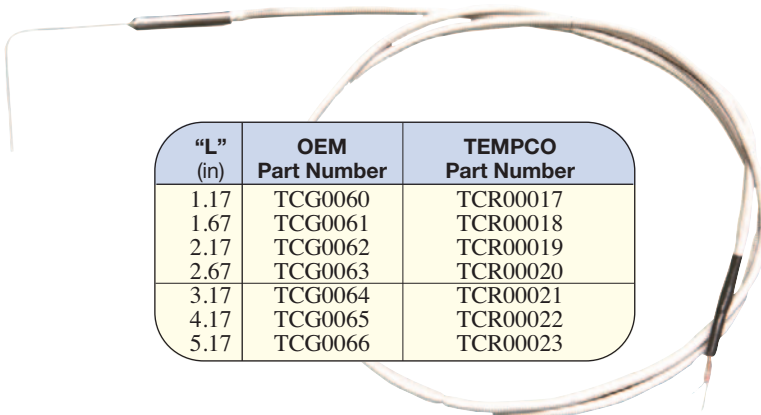
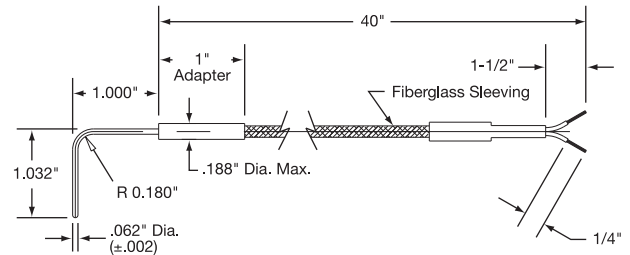
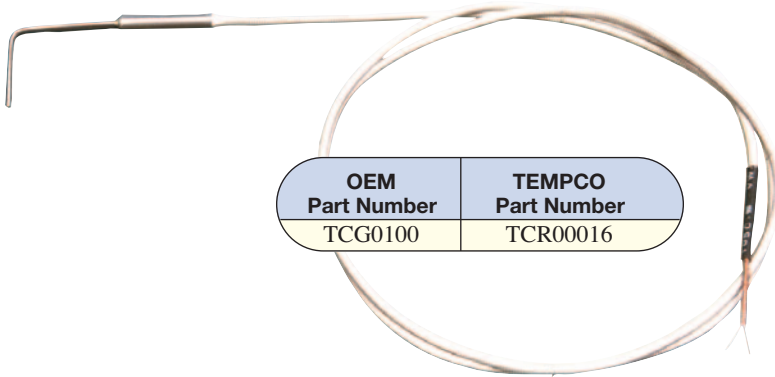
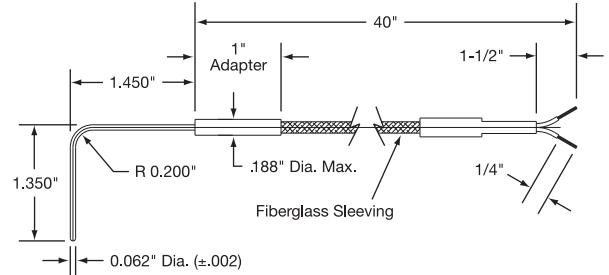
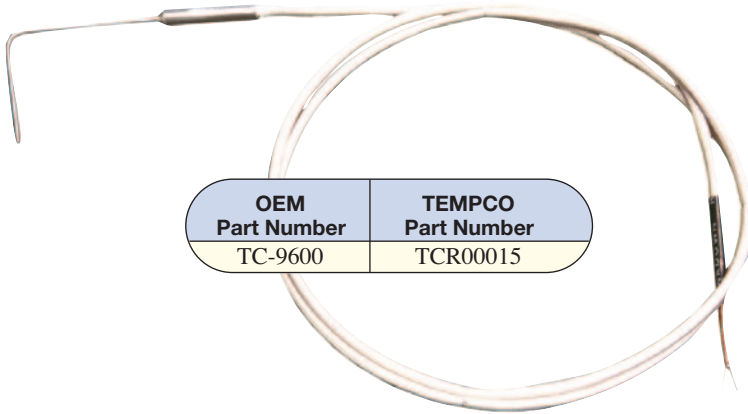
Specialty Application

The following **Runnerless Mold Thermocouples** are manufactured using Tempco's high quality, mineral insulated thermocouple wire "Tempco-Pak." The Tempco-Pak is .062" diameter 304 stainless steel sheathed, MgO insulated, ANSI Type J thermocouple wire.



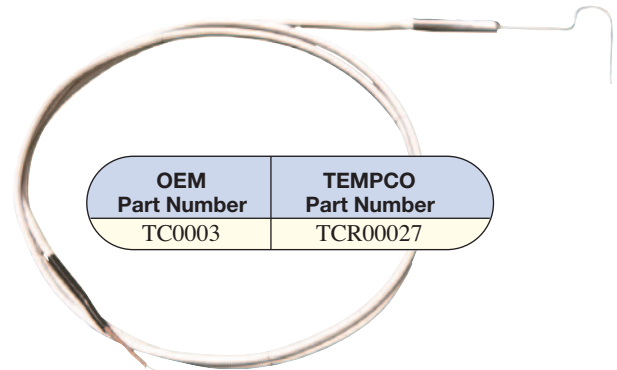
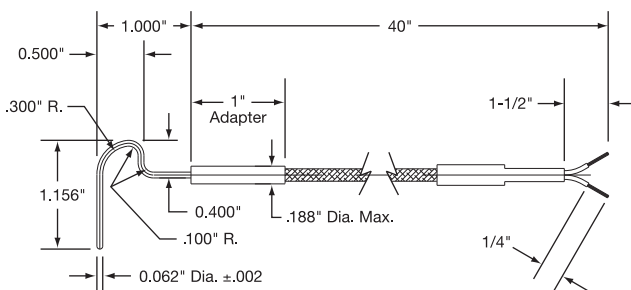
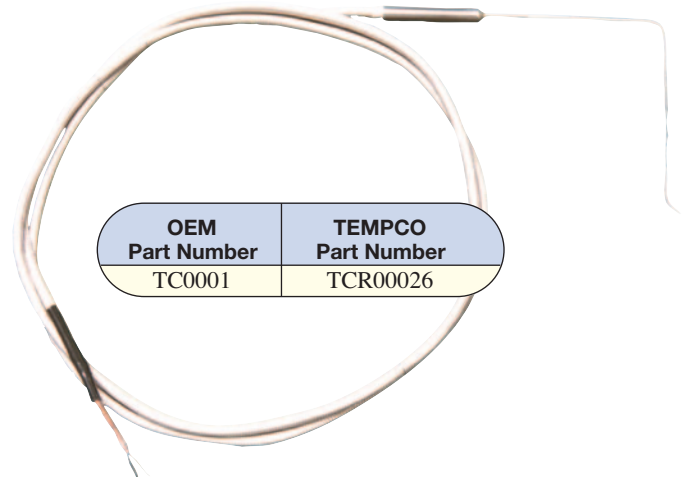
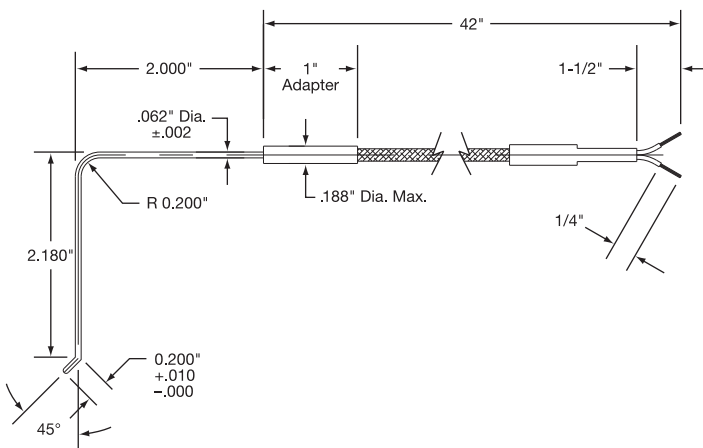
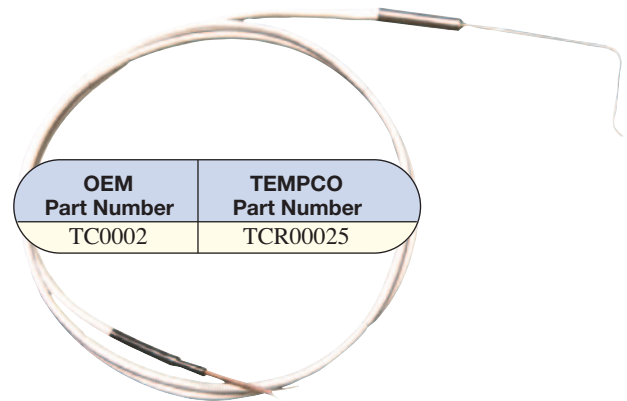
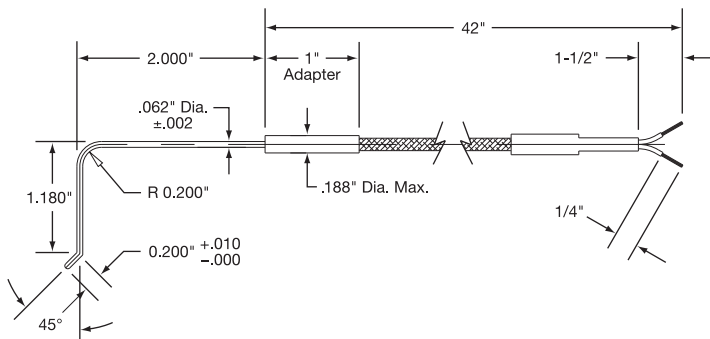
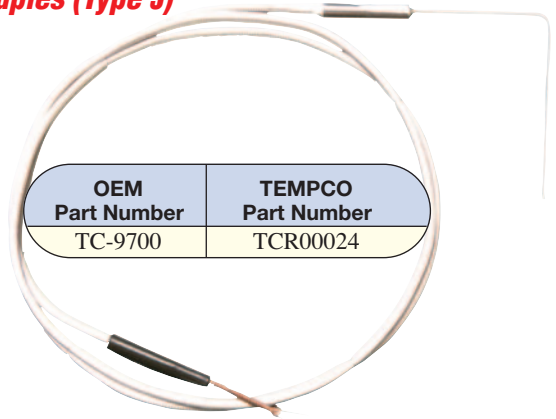
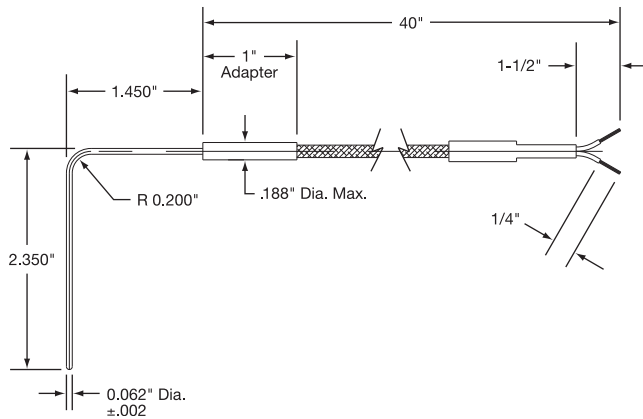
Notes: All hot junctions are grounded.

The lead wire is ANSI Type "J" thermocouple grade with ANSI color-coded fiberglass insulation and an additional high temperature outer fiberglass sleeve. The transition area (potting adapter) between the Tempco-Pak and lead wire is potted with high temperature cement rated to 900°F (482°C).



All Items Available from Stock

OEM Replacement Thermocouples (Type J)



All Items Available from Stock