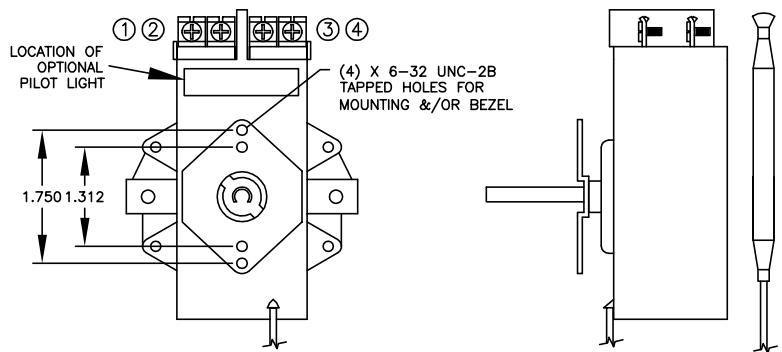


PROPRIETARY AND CONFIDENTIAL: THIS DRAWING AND THE INFORMATION WITHIN ARE PROPRIETARY TO TEMPCO ELECTRIC HEATER CORPORATION AND ARE ISSUED IN STRICT CONFIDENCE ON THE CONDITION THAT THIS DRAWING AND ANY INFORMATION CONTAINED THEREIN SHALL NOT BE COPIED, USE FOR MANUFACTURE OR SALE, OR TRANSMITTED OR DISCLOSED TO A THIRD PARTY, IN WHOLE OR IN PART, WITHOUT THE PRIOR WRITTEN CONSENT OF TEMPCO ELECTRIC HEATER CORPORATION. REMOVING THIS DOCUMENT FROM TEMPCO WITHOUT TEMPCO'S WRITTEN CONSENT IS PROHIBITED. TEMPCO ELECTRIC HEATER CORPORATION. ALL RIGHTS RESERVED.

ECO #	NO.	REVISION	DATE	BY
-------	-----	----------	------	----

TST-110-	LOW F	HIGH F	UL RATED V	UL A @ RATED V	CSA RATED V	CSA A @ RATED V	BULB LENGTH	BULB MAX. DIA.	CAPILLARY LENGTH	KNOB
101	30	110	277/480	30/10	208/250	30/25	6.3125	0.375	36	TST-104-110
102	60	250	277/480	30/10	208/250	30/25	3.88	0.375	60	TST-104-103
103	100	550	277/480	30/10	208/250	30/25	3.88	0.375	48	TST-104-104
117	100	550	277/480	30/10	208/250	30/25	3.125	0.375	24	TST-104-104
118	60	250	277	30	125/250	30/25	4.5	0.375	156	TST-104-103
119	300	700	277/480	30/10	208/250	30/25	13	0.1875	60	TST-104-108
121	0	100	277/480	30/10	125/2350	30/25	4.312	0.375	144	Supplied/T'stat
124	60	250	277/480	30/10	208/250	30/25	3.88	0.375	18	TST-104-103
125	60	250	277/480	30/10	208/250	30/25	3.88	0.375	24	TST-104-103
126	60	250	277/480	30/10	208/250	30/25	3.88	0.375	36	TST-104-103



SEE OPT ACCESSORIES NOTE BELOW FOR ALT TO TST-104-103 KNOB GRADUATED IN DEG CENTIGRADE

**WARNING: HAZARD OF ELECTRIC SHOCK. INSTALLATION MUST BE GROUNDED TO EARTH TO AVOID SHOCK HAZARD. DISCONNECT POWER TO INSTALLATION BEFORE SERVICING OR INSTALLING THERMOSTAT.**

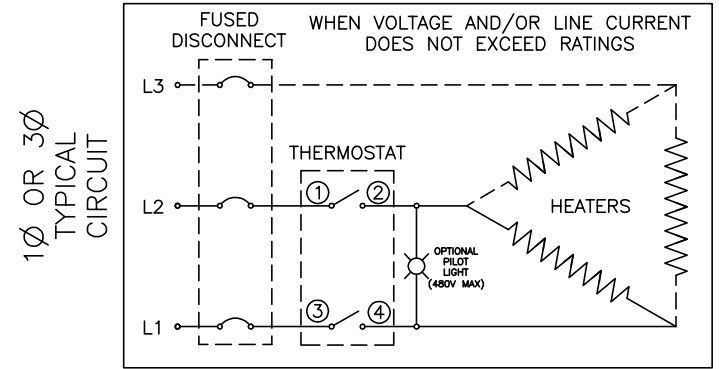
**WARNING: WIRE INSULATION RATING MUST BE SUITABLE FOR THE AMBIENT TEMPERATURE OF THE WIRING INSTALLATION. AMPACITY & VOLTAGE RATINGS SHOULD BE IN ACCORDANCE WITH NEC (NATIONAL ELECTRICAL CODE) & OTHER LOCAL REGULATIONS.**

**CAUTION** DO NOT USE THE THERMOSTAT AS A POWER SWITCH. THERMOSTATS ARE NOT A FAIL SAFE DEVICE. USE AN APPROVED LIMIT CONTROL FOR SAFE OPERATION.

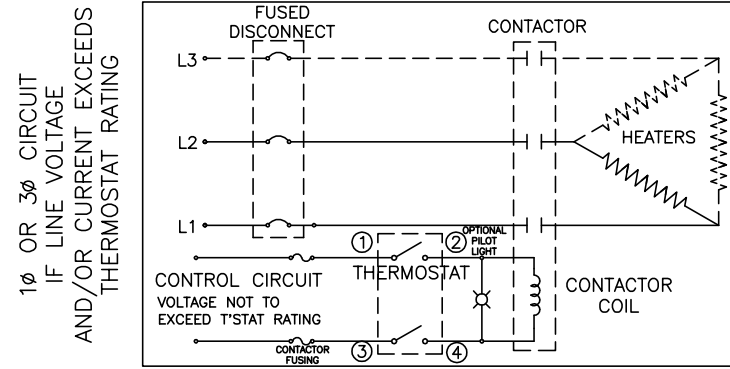
**CAUTION** WHEN IN DOUBT, CONSULT A PROFESSIONAL ELECTRICIAN OR CALL 800-323-6859.

- NOTES:**
- SHAFT ROTATION IS CLOCKWISE TO INCREASE TEMPERATURE.
  - MAXIMUM AMBIENT EXPOSURE OF THERMOSTAT BODY PER TABLE.
  - MAXIMUM BULB EXPOSURE NOT TO EXCEED HIGH F RATING IN TABLE.
  - UL RECOGNIZED, CSA CERTIFIED.
  - WHEN INSTALLING TEMPERATURE SENSING BULB, AVOID BENDS OR KINKING OF THE CAPILLARY TUBE.
  - THIS TYPE THERMOSTAT HAS AN "OFF" POSITION.
  - TO RESET S'TAT W/MANUAL RESET: ROTATE CLOCKWISE TO SET TEMPERATURE & PRESS RESET BUTTON TO START SYSTEM - ANY TIME DIAL HAS ALSO BEEN TURNED TO THE OFF POSITION OR BELOW SET POINT.
  - INSTALL PILOT LAMP ONLY WITH THE #6-32 X 3/8" LG SCREW SUPPLIED

**OPTIONAL ACCESSORIES AVAILABLE:**  
 CHROME PLATED FRONT BEZEL - P/N TST-111-101, W/(2) SCW-106-102 MOUNTING SCREWS (6-32 X 5/16" LG)  
 PILOT LAMP - P/N EHD-109-103, W/(1) SCW-106-104 MOUNTING SCREW (6-32 X 3/8" LG) USABLE ON 120V TO 480V CONTROL CIRCUITS  
 ALTERNATE FOR TST-104-103 KNOB - GRADUATED IN CENTIGRADE (15-120C) IS P/N TST-104-119



1Ø OR 3Ø TYPICAL CIRCUIT



1Ø OR 3Ø CIRCUIT IF LINE VOLTAGE AND/OR CURRENT EXCEEDS THERMOSTAT RATING

TITLE: WIRING INSTRUCTIONS  
 DOUBLE POLE  
 SINGLE THROW THERMOSTAT  
 STYLE B

DRAWN BY: CBK	APPROVED: GDS	REV: 10	DATE: 3/23/05	DRAWING NUMBER: IDP-119-105
---------------	---------------	---------	---------------	-----------------------------

**TEMPCO.**  
 630.350.2252 WWW.TEMPCO.COM

TEMPCO Electric Heater Corporation  
 607 N. Central Ave.  
 Wood Dale, IL 60191-1452 U.S.A.  
 Email: info@tempco.com