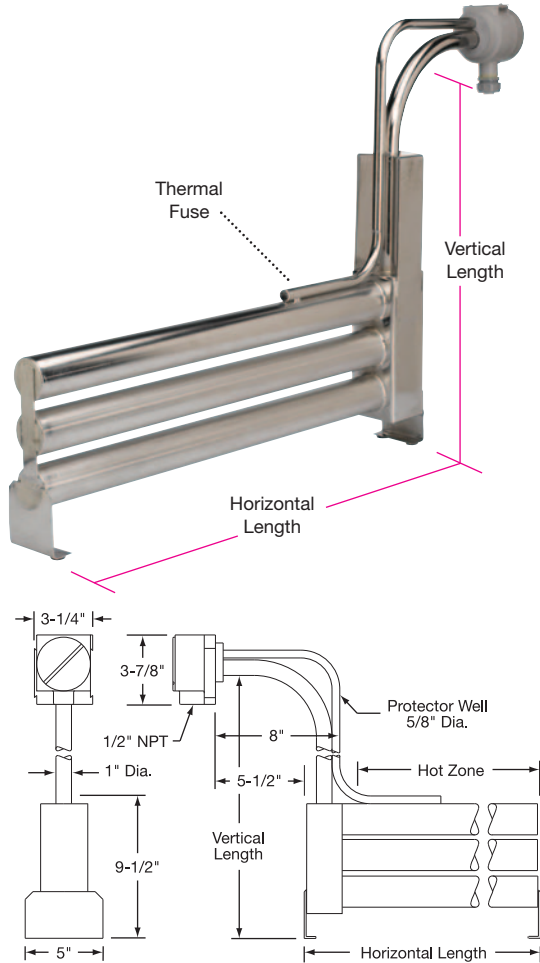


### Triple-Tube Vertical Stack L-Shape Heater



#### Typical Applications

For plating tanks, rinse tanks and other non-sludging aqueous solutions. Check compatibility guide on pages 11-88 and 11-89 and with chemical supplier for proper sheath material selection.

#### Design Features

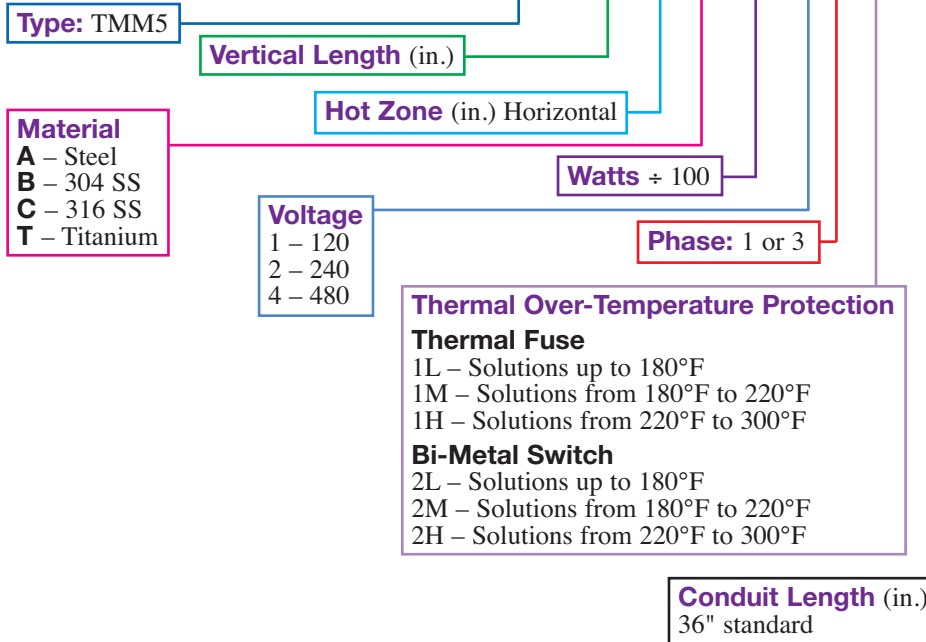
- \* 35 watts/in<sup>2</sup> (5.5 watts/cm<sup>2</sup>) for long service life
- \* Space-saving vertical configuration
- \* Bottom mount design for even heating and varying solution levels
- \* Standard 2" sludge legs (longer available)
- \* Heavy duty, long lasting construction
- \* T1 thermal fuse protection standard; T2 bi-metal switch optional
- \* Grounded for safety
- \* UL listed except Plain Steel; for US and Canada
- \* Vapor-tight polypropylene terminal enclosure
- \* Standard 3-ft. flexible PVC liquid-tight conduit
- \* Three-Phase standard; single-phase available as option
- \* 240, 480 volts standard as listed — other voltages available
- \* Longer and shorter vertical lengths available; consult Tempco

#### Standard Watts vs. Length

Watts	Hot Zone		V. Length	
	in	mm	in	mm
3000	13	330	19	483
6000	17	432	37	940
9000	22	559	37	940
12000	26	660	37	940
15000	31	787	37	940
18000	36	914	50	1270
24000	44	1118	50	1270
27000	50	1270	50	1270
30000	55	1397	50	1270
36000	64	1626	50	1270

Standard lead time is 2 to 3 weeks.

#### Ordering Code: T M M 5



#### Ordering Information

TMM5 heaters are offered with the options listed in this worksheet. Create an ordering code by filling in the blanks with the appropriate number and/or letter designation for your requirements, and a part number will be assigned.

**WARNING:** Cancer and Reproductive Harm - [www.P65Warnings.ca.gov](http://www.P65Warnings.ca.gov).