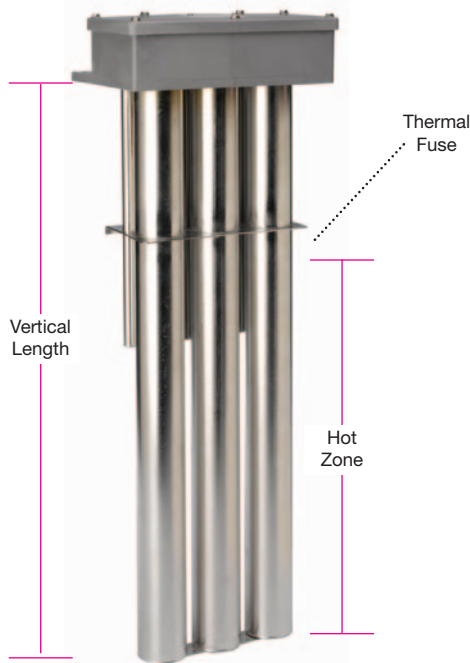


Metal Triple-Tube Style Heater

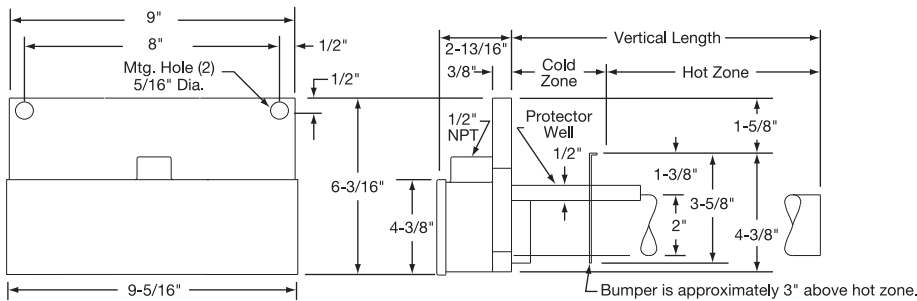


Typical Applications

For plating tanks, phosphating and concentrated aqueous solutions. Check compatibility guide on pages 11-88 and 11-89 and with chemical supplier for proper sheath material selection.

Design Features

- * 18 and 35 watts/in² (2.8 and 5.5 watts/cm²) for long service life
- * Low watt density for extended service
- * Heavy duty, long lasting construction
- * T1 thermal fuse protection standard; T2 bi-metal switch optional
- * Grounded for safety
- * UL listed except plain steel; for US and Canada
- * Vapor-tight polypropylene terminal enclosure with universal mounting bracket
- * Standard 3-ft. flexible PVC liquid-tight conduit
- * Standard design includes a common wiring terminal enclosure with a single conduit hub for external connections; power wiring from the three tubes can be configured single- or three-phase.
- * 120, 240, 480 volts standard as listed — other voltages available
- * Longer lengths available; consult Tempco

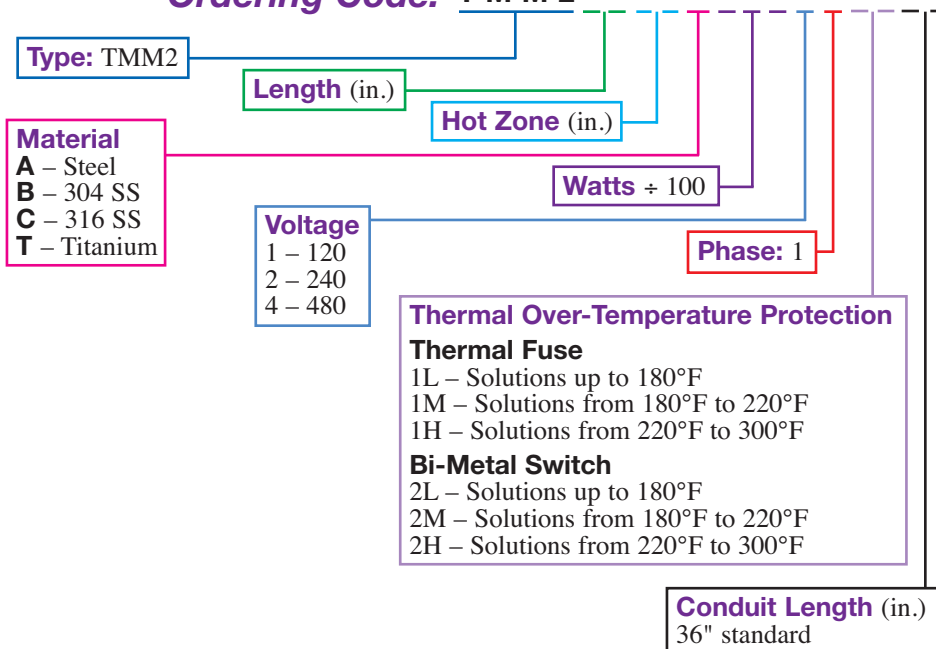


Standard Watts vs. Length and Hot Zone

Watts		Hot Zone		Length	
High	Low	in	mm	in	mm
3000	1500	6	152	11	254
6000	3000	10	254	17	432
9000	4500	16	406	23	584
12000	6000	20	508	29	737
15000	7500	25	635	35	889
18000	9000	30	762	40	1016
24000	12000	37	940	47	1194
27000	13500	44	1118	54	1372
30000	15000	49	1245	59	1499
36000	18000	58	1473	68	1727

Standard lead time is 2 to 3 weeks.

Ordering Code: T M M 2



Ordering Information

TMM2 heaters are offered with the options listed in this worksheet. Create an ordering code by filling in the blanks with the appropriate number and/or letter designation for your requirements, and a part number will be assigned.

WARNING: Cancer and Reproductive Harm - www.P65Warnings.ca.gov