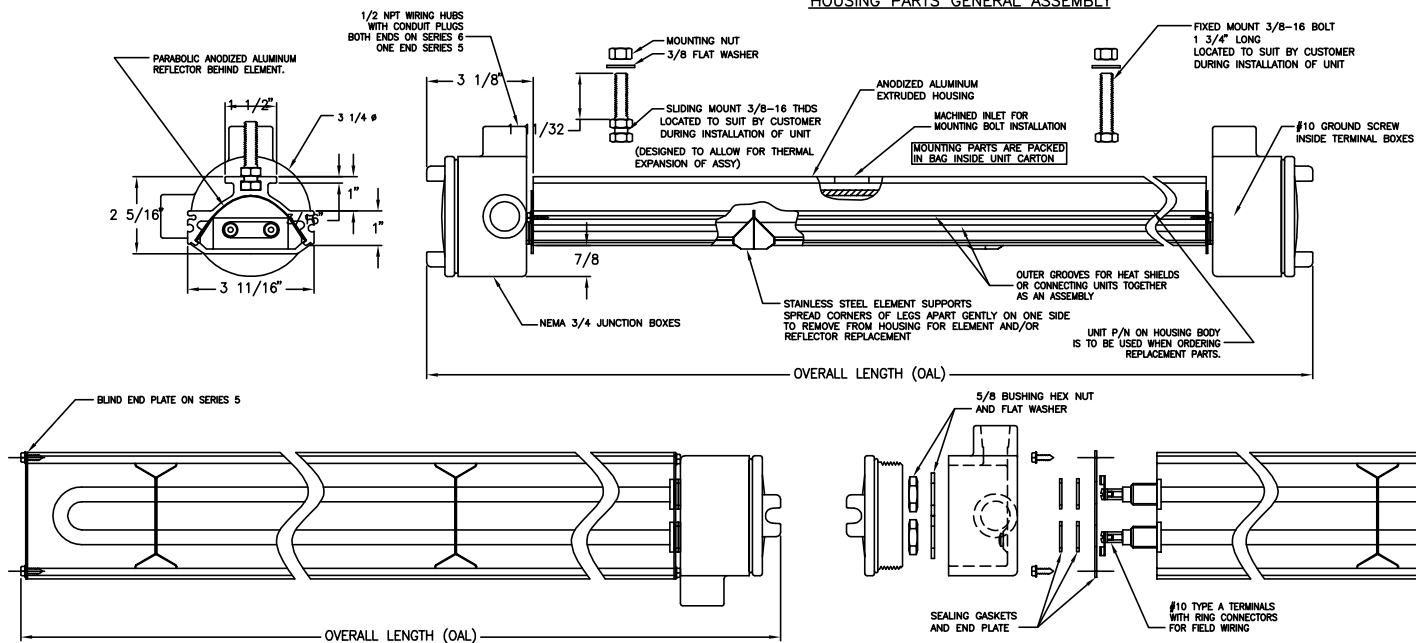


PROPRIETARY AND CONFIDENTIAL: THIS DRAWING AND THE INFORMATION WITHIN ARE PROPRIETARY TO TEMPCO ELECTRIC HEATER CORPORATION AND ARE ISSUED IN STRICT CONFIDENCE ON THE CONDITION THAT THIS DRAWING AND ANY INFORMATION CONTAINED THEREIN SHALL NOT BE COPIED, USE FOR MANUFACTURE OR SALE, OR TRANSMITTED OR DISCLOSED TO A THIRD PARTY, IN WHOLE OR IN PART, WITHOUT THE PRIOR WRITTEN CONSENT OF TEMPCO ELECTRIC HEATER CORPORATION. REMOVING THIS DOCUMENT FROM TEMPCO WITHOUT TEMPCO'S WRITTEN CONSENT IS PROHIBITED. TEMPCO ELECTRIC HEATER CORPORATION. ALL RIGHTS RESERVED.

### HOUSING PARTS GENERAL ASSEMBLY



HIGH TEMPERATURE WIRE AND REPLACEMENT PARTS ARE AVAILABLE FROM TEMPCO. IF ELEMENT IS TO BE REPLACED IT IS RECOMMENDED THAT A NEW REFLECTOR BE ORDERED ALSO. CONTACT FACTORY WITH HEATER P/N, WATTS, AND VOLTAGE REQUIRED WHEN ORDERING REPLACEMENT PARTS.

CLEAN REFLECTOR PERIODICALLY. DO NOT USE STRONG ALKALI CLEANERS ON THE ALUMINUM REFLECTOR AS THEY WILL DULL THE FINISH. A MILD SOAP & WATER SOLUTION IS RECOMMENDED.

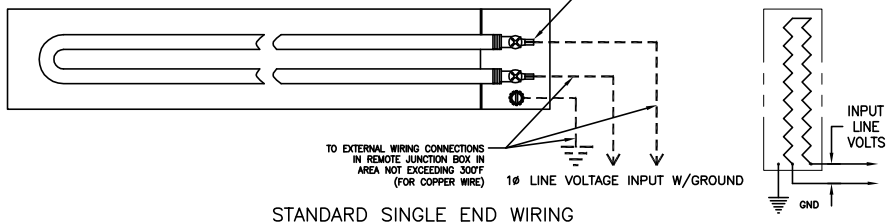
**DANGER: HAZARD OF FIRE.** THESE HEATERS ARE NOT FOR USE IN ATMOSPHERES WHERE FLAMMABLE OR COMBUSTIBLE VAPORS, DUST, GASES, OR LIQUIDS ARE PRESENT AS DEFINED IN THE NATIONAL ELECTRICAL CODE. WHERE SOLVENTS, WATER, ETC. ARE BEING EVAPORATED FROM THE PROCESS, IT IS NECESSARY TO PROVIDE SUBSTANTIAL QUANTITIES OF VENTILATING AIR TO CARRY AWAY ALL RESULTING VAPORS.

BE SURE ALL ELECTRICAL CONNECTIONS ARE TIGHTLY MADE. HOLD TERMINAL WITH PLIERS WHEN TIGHTENING SCREWS. MAKE SURE ALL CONDUCTORS ARE PROPERLY INSULATED AND ROUTED TO ALLOW FOR EXPANSION AND CONTRACTION OF THE UNIT.

**CAUTION:** DO NOT MOUNT HEATER HOUSING CLOSER THAN 6" TO ANY STRUCTURAL MATERIAL THAT DOES NOT HAVE AT LEAST A 200C CONTINUOUS TEMPERATURE RATING.

### SERIES 5 - SINGLE HAIRPIN ELEMENT

ATTACH PROPERLY RATED LINE INPUT WIRES TO ALL TERMINALS OF THE ELEMENT ASSEMBLY USING THE NI-STEEL RING CRIMP CONNECTORS PROVIDED. SOLID OR STRANDED CONDUCTORS CAN BE USED. USE ONLY INSULATED NICKEL PLATED, NICKEL CLAD, OR NICKEL CONDUCTOR. 12GA FOR UNITS OVER 20A & 14GA FOR 20A OR LOWER. LEADWIRE RATED AT 250 DEG C OR HIGHER IS RECOMMENDED INSIDE THE HEATER JUNCTION BOXES. USE OF 200 DEG C WIRE IS PERMITTED IF UNIT IS USED IN AMBIENT CONDITIONS BELOW 104 DEG F.

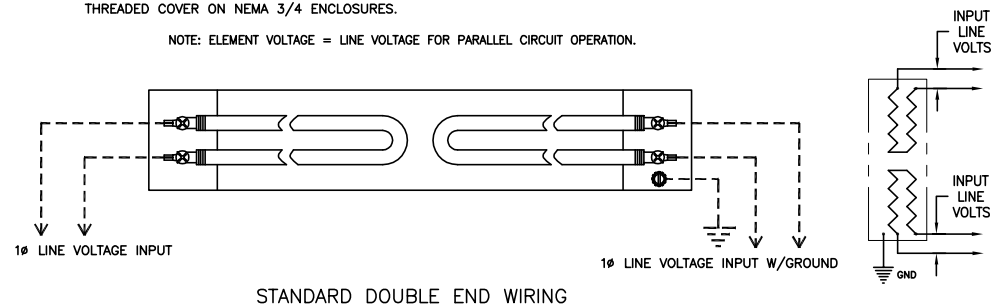


STANDARD SINGLE END WIRING

### SERIES 6 - DUAL HAIRPIN ELEMENT

NOTE: ELECTRICAL CONNECTIONS TO THE HEATER ARE MADE THROUGH THE 1/2 NPT TAPPED HUBS IN THE END ENCLOSURES. WIRING SHOULD BE RUN IN RIGID OR FLEXIBLE METAL CONDUIT AND INSTALLED IN ACCORDANCE WITH NEC AND LOCAL CODES THAT MAY BE APPLICABLE. ACCESS TERMINALS BY REMOVING THREADED COVER ON NEMA 3/4 ENCLOSURES.

NOTE: ELEMENT VOLTAGE = LINE VOLTAGE FOR PARALLEL CIRCUIT OPERATION.



STANDARD DOUBLE END WIRING

**"WARNING:"**

DO NOT USE COPPER WIRE TO MAKE CONNECTIONS INSIDE THIS HEATER. HIGH TEMPERATURES WILL OXIDIZE COPPER. USE OF NICKEL PLATED OR NICKEL CLAD INSULATED COPPER WIRE IS RECOMMENDED. WIRE INSULATION RATING MUST BE SUITABLE FOR THE AMBIENT TEMPERATURE OF THE WIRING INSTALLATION. CAPACITY & VOLTAGE RATINGS SHOULD BE IN ACCORDANCE WITH NEC/NFPA (NATIONAL ELECTRICAL CODE) & ALL OTHER LOCAL REGULATIONS.

**WARNING: HAZARD OF ELECTRIC SHOCK. INSTALLATION MUST BE GROUNDED TO EARTH TO AVOID SHOCK HAZARD. DISCONNECT POWER TO INSTALLATION BEFORE SERVICING OR INSTALLING HEATER**

TITLE: TRH UNIVERSAL 2000 RADIANT HEATER INSTALLATION, WIRING, & PARTS ASSEMBLY NEMA 4 HOUSING - SERIES 5 & 6  
 DRAWN BY: APPROVED: REV. DATE: DRAWING NUMBER:  
 JWG GDS 2 9/22/10 IDP-129-103

**TEMPCO**  
 TEMPCO Electric Heater Corporation  
 607 N. Central Ave.  
 Wood Dale, IL 60191-1452 U.S.A.  
 Email: info@tempco.com